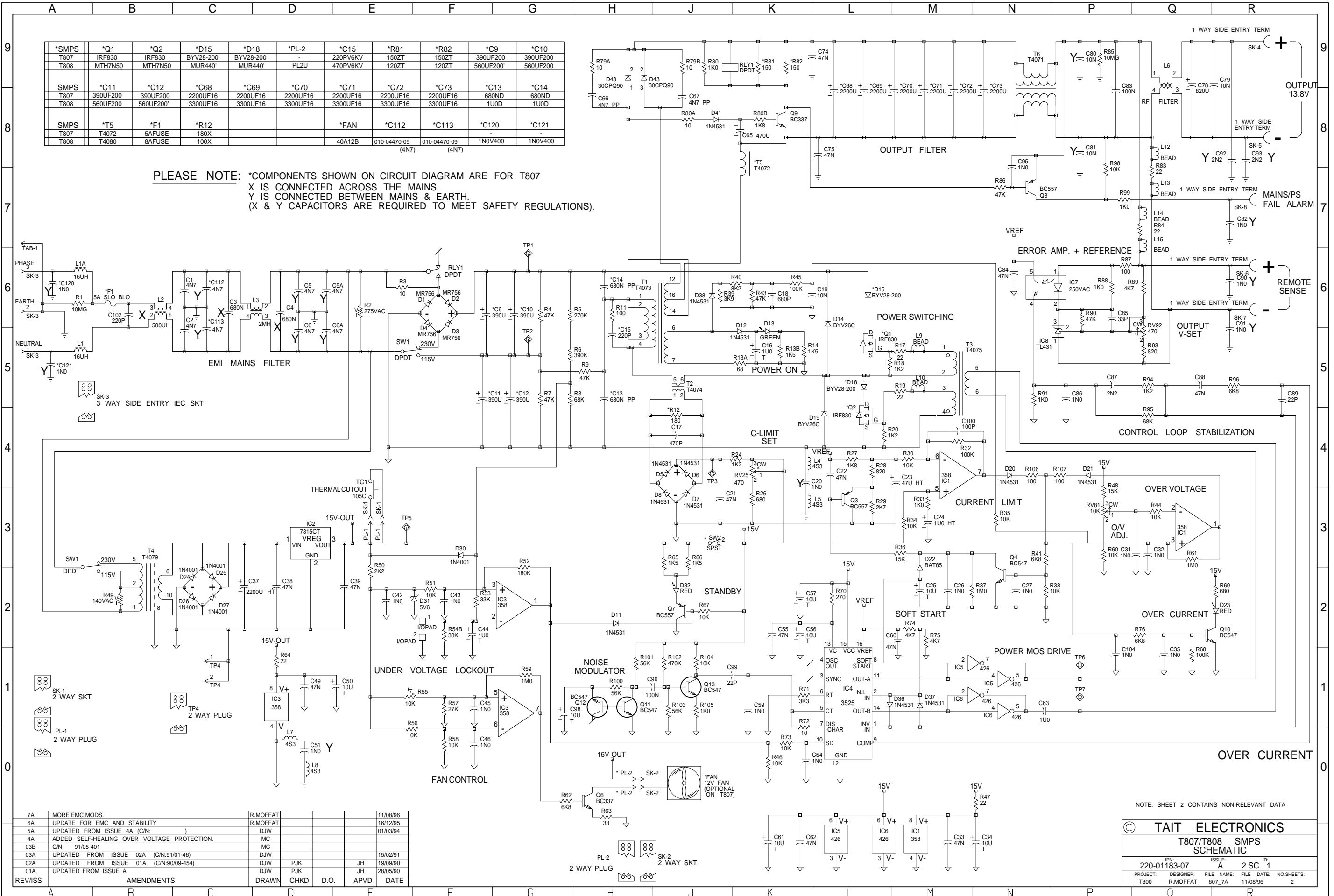


*SMPS	*Q1	*Q2	*D15	*D18	*PL-2	*C15	*R81	*R82	*C9	*C10
T807	IRF830	IRF830	BYV28-200	BYV28-200	-	220PV6KV	150ZT	150ZT	390UF200	390UF200
T808	MTH7N50	MTH7N50	MUR440	MUR440	PL2U	470PV6KV	120ZT	120ZT	560UF200	560UF200
SMPS	*C11	*C12	*C68	*C69	*C70	*C71	*C72	*C73	*C13	*C14
T807	390UF200	390UF200	2200UF16	2200UF16	2200UF16	2200UF16	2200UF16	2200UF16	680ND	680ND
T808	560UF200	560UF200	3300UF16	3300UF16	3300UF16	3300UF16	3300UF16	3300UF16	1UOD	1UOD
SMPS	*T5	*F1	*R12			*FAN	*C112	*C113	*C120	*C121
T807	T4072	5AFUSE	180X							
T808	T4080	8AFUSE	100X			40A12B	010-04470-09 (4N7)	010-04470-09 (4N7)	1N0V400	1N0V400

PLEASE NOTE: *COMPONENTS SHOWN ON CIRCUIT DIAGRAM ARE FOR T807
 X IS CONNECTED ACROSS THE MAINS.
 Y IS CONNECTED BETWEEN MAINS & EARTH.
 (X & Y CAPACITORS ARE REQUIRED TO MEET SAFETY REGULATIONS).



7A	MORE EMC MODS.	R.MOFFAT		11/08/96
6A	UPDATE FOR EMC AND STABILITY	R.MOFFAT		16/12/95
5A	UPDATED FROM ISSUE 4A (C/N:)	DJW		01/03/94
4A	ADDED SELF-HEALING OVER VOLTAGE PROTECTION.	MC		
03B	C/N 91/05-401	MC		
03A	UPDATED FROM ISSUE 02A (C/N:91/01-46)	DJW		15/02/91
02A	UPDATED FROM ISSUE 01A (C/N:90/09-454)	DJW	PJK	19/09/90
01A	UPDATED FROM ISSUE A	DJW	PJK	28/05/90
REV/ISS	AMENDMENTS	DRAWN	CHKD	D.O. APVD DATE

NOTE: SHEET 2 CONTAINS NON-RELEVANT DATA

TAIT ELECTRONICS

T807/T808 SMPS SCHEMATIC

ISSUE: 2.SC.1

PROJECT: T800 DESIGNER: R.MOFFAT FILE NAME: 807_7A DATE: 11/08/96 NO.SHEETS: 2